

Outdoor 500W AC/DC Power Supply Unit (PSU)

(Output Power: 500 W, Output Voltage: +51 VDC)

Model No. NJZ1295

Specifications

Rev.01 January 26, 2018

Copyright 2018

New Japan Radio Co., Ltd.
Microwave Division

-Notice of Proprietary Information-

Documents and contents are proprietary to New Japan Radio Co., Ltd.
This publication and its contents may not be reproduced or distributed for any
other purpose without the written permission of New Japan Radio Co., Ltd.



Caution

1. NJRC strives to produce reliable and high quality microwave components. NJRC's microwave components are intended for specific applications and require proper maintenance and handling. To enhance the performance and service of NJRC's microwave components, the devices, machinery or equipment into which they are integrated should undergo preventative maintenance and inspection at regularly scheduled intervals. Failure to properly maintain equipment and machinery incorporating these products can result in catastrophic system failures.
2. To ensure the highest levels of reliability, NJRC products must always be properly handled. The introduction of external contaminants (e.g. dust, oil or cosmetics) can result in failures of microwave components.
3. NJRC offers a variety of microwave components intended for particular applications. It is important that you select the proper component for your intended application. You may contact NJRC's sales office or sales representatives, if you are uncertain about the products listed in the catalog and the specification sheets.
4. Special care is required in designing devices, machinery or equipment, which demand high levels of reliability. This is particularly important when designing critical components or systems whose foreseeable failure can result in situations that could adversely affect health or safety. In designing such critical devices, equipment or machinery, careful consideration should be given to, amongst other things, their safety design, fail-safe design, back-up and redundancy systems, and diffusion design.
5. The products listed in the catalog and specification sheets may not be appropriate for use in certain equipment where reliability is critical or where the products may be subjected to extreme conditions. You should consult our sales office or sales representatives before using the products in any of the following types of equipment.
 - * Aerospace Equipment
 - * Equipment Used in the Deep Sea
 - * Power Generator Control Equipment (nuclear, steam, hydraulic)
 - * Life Maintenance Medical Equipment
 - * Fire Alarm/Intruder Detector
 - * Vehicle Control Equipment (automobile, airplane, railroad, ship, etc.)
 - * Various Safety Equipment
6. NJRC's products have been designed and tested to function within controlled environmental conditions. Do not use products under conditions that deviate from methods or applications specified in the catalog and specification sheets. Failure to employ NJRC's products in the proper applications can lead to deterioration, destruction or failure of the products. NJRC shall not be responsible for any bodily injury, fires or accidents, property damage or any consequential damages resulting from the misuse or misapplication of its products. PRODUCTS ARE SOLD WITHOUT WARRANTY OF ANY OF KIND, EITHER EXPRESS OR IMPLIED, INCLUDING BUT NOT LIMITED TO ANY IMPLIED WARRANTY OF MERCHANTABILITY OR FITNESS FOR A PARTICULAR PURPOSE.
7. The product specifications and descriptions listed in the catalog and specification sheets are subject to change at any time, without notice.

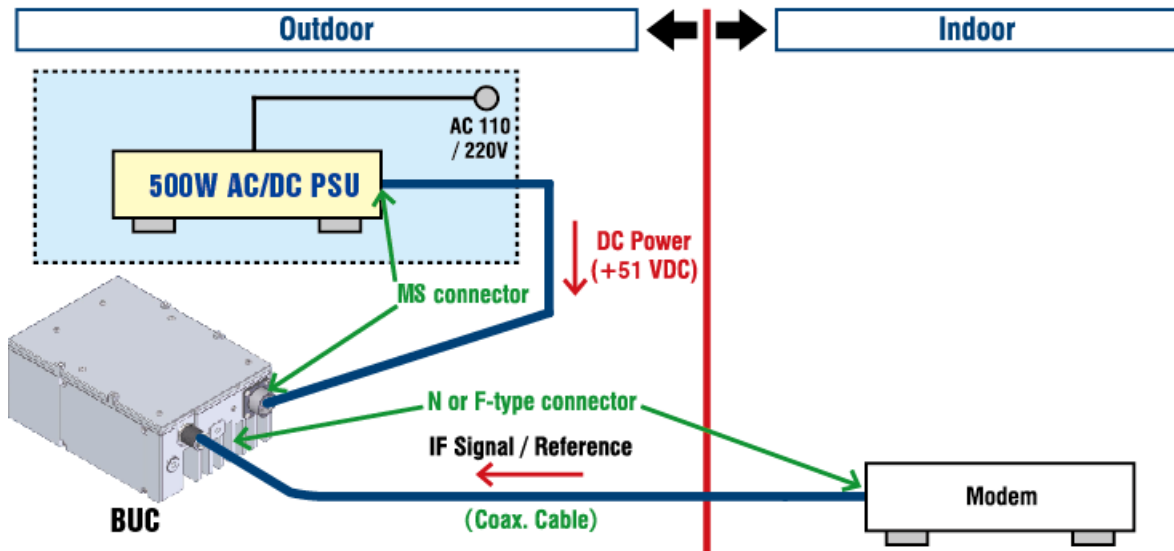
* Above Specifications are subject to change without notice.

1. Overview

The features of Outdoor 500W AC/DC Power Supply Unit (PSU) are to provide the stable +51V DC power to operate High Power BUCs, even if power supply of the equipment is not capable enough to operate the BUC.

This unit employs the aluminum housing with corrosion-proof treatment on the surface and has air-sealing structure in order to use perfectly as the outdoor unit.

In addition, the outdoor 500W AC/DC PSU complies with EU DIRECTIVE.

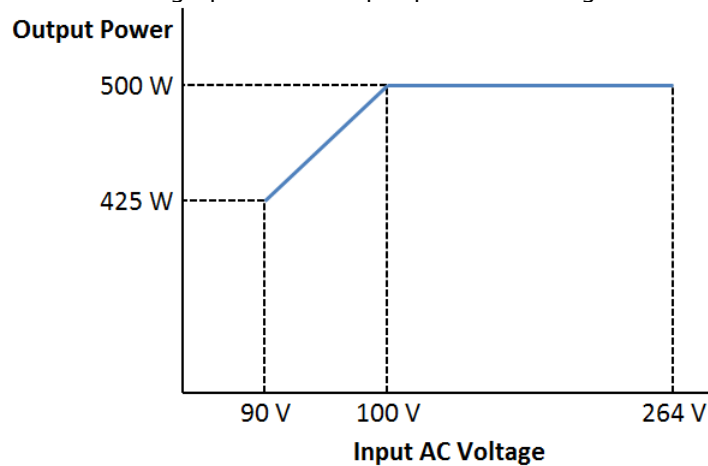


* Above Specifications are subject to change without notice.

2. Electrical Specifications

#	Items	Specifications
2-1.	Input AC Voltage Range [Rated Range] [Absolute Maximum Rating]	100 to 240 VAC 90 to 264 VAC
2-2.	Input AC Frequency Range	50/60 Hz
2-3.	Input AC Current	6 A max. @ 110V Input 3 A max. @ 230V Input
2-4.	Output Voltage	+51 VDC +/- 3 V
2-5.	Output Current	9.8 A max.(output:+51Vdc , 500W Load) @110V/230V Input * Note 1
2-6.	Maximum Output Power	500 W at 110V/230V Input * Note 1
2-7.	Efficiency	85 % typ. @ 110V Input & 500W Load 88 % typ. @ 230V Input & 500W Load * Note 2
2-8.	Power Factor	0.96 typ. @ 110V Input & 500W Load 0.93 typ. @ 230V Input & 500W Load * Note 2


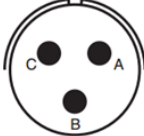
*Note1: The detail refers to a graph of the output power derating curve in below.



*Note2: The condition is 110 and 230 VAC as AC voltage input and no FAN cycling.

* Above Specifications are subject to change without notice.

3. Mechanical Specifications

#	Items	Specifications
3-1.	Input Interface [AC Input]	AC Connector: GTS030-16-10P (025) Mating Connector: GTS06CF-16-10S (025) (Amphenol GT connector) Assignment:  <ul style="list-style-type: none"> Pin A: AC input (Live) Pin B: Frame Ground (GND) Pin C: AC input (Neutral)
3-2.	Output Interface [DC & Option Output]	MS Connector: PT02E-12-3P (025) Mating Connector: PT06E-12-3S (470) (Amphenol PT connector) Assignment:  <ul style="list-style-type: none"> Pin A: DC Output (+) / Prime Pin B: Frame GND Pin C: DC Output (-) / Return
3-3.	Dimension & Housing	250 (L) x 191 (W) x 118.1 (H) mm [9.84" (L) x 7.52" (W) x 4.65" (H)] without interface connectors and screws
3-4.	Weight	5.0 kg [11 lbs.]
3-5.	Surface Finish [Protective & Conformal Coating] [Finish Paint]	Trivalent Chromate Treatment Polyurethane Paint, Ivory Color
3-6.	Cooling	Forced-air-cooled

* Above Specifications are subject to change without notice.



4. Environmental Specifications

#	Items	Specifications
4-1.	Temperature Range (ambient) [Operating] [Storage]	-40 to +60 °C -40 to +75 °C
4-2.	Humidity	0 to 100 % Rh
4-3	Altitude	4,572m [15,000ft]
4-4.	Dust/Waterproof	IP67 * Note 3
4-5.	Vibration	31.3 m/s ² [3.2 G] (3 axis, 10 Hz to 1 kHz) 1 mm p-p (3 axis, 5 to 50 Hz)
4-6.	Shock	294.20 m/s ² [30 G] (3 axis)
4-7.	Regulations	EU Directive (CE Marking) EMC Directive: 2014/30/EU Low Voltage Directive: 2014/35/EU
4-8.	Standard [Safety] [EMC]	IEC60950-1:2005+A1:2009+A2:2013 EN60950-1:2006+A11:2009+A1:2011+A12:2012+A2:2013 *Category and group : Overvoltage Category :II Pollution Degree :1 Material Group :IIIab EN61000-3-2 (Harmonic Current Emission Test) EN61000-3-3 (Voltage Fluctuations and Flicker Test) EN61000-4-2 (ESD Test) EN61000-4-3 (Radio-Frequency Electromagnetic Field Test) EN61000-4-4 (Electrical Fast Transient/Burst Test) EN61000-4-5 (Surge Test) EN61000-4-6 (Conducted Disturbance Radio-Frequency Test) EN61000-4-8 (Power Frequency Magnetic Field Test) EN61000-4-11 (Voltage Dips and Interruptions Test) EN55032-B (Disturbance Voltage Test)
4-9.	Comply with RoHS (Restricting the use of Hazardous Substances) directives	

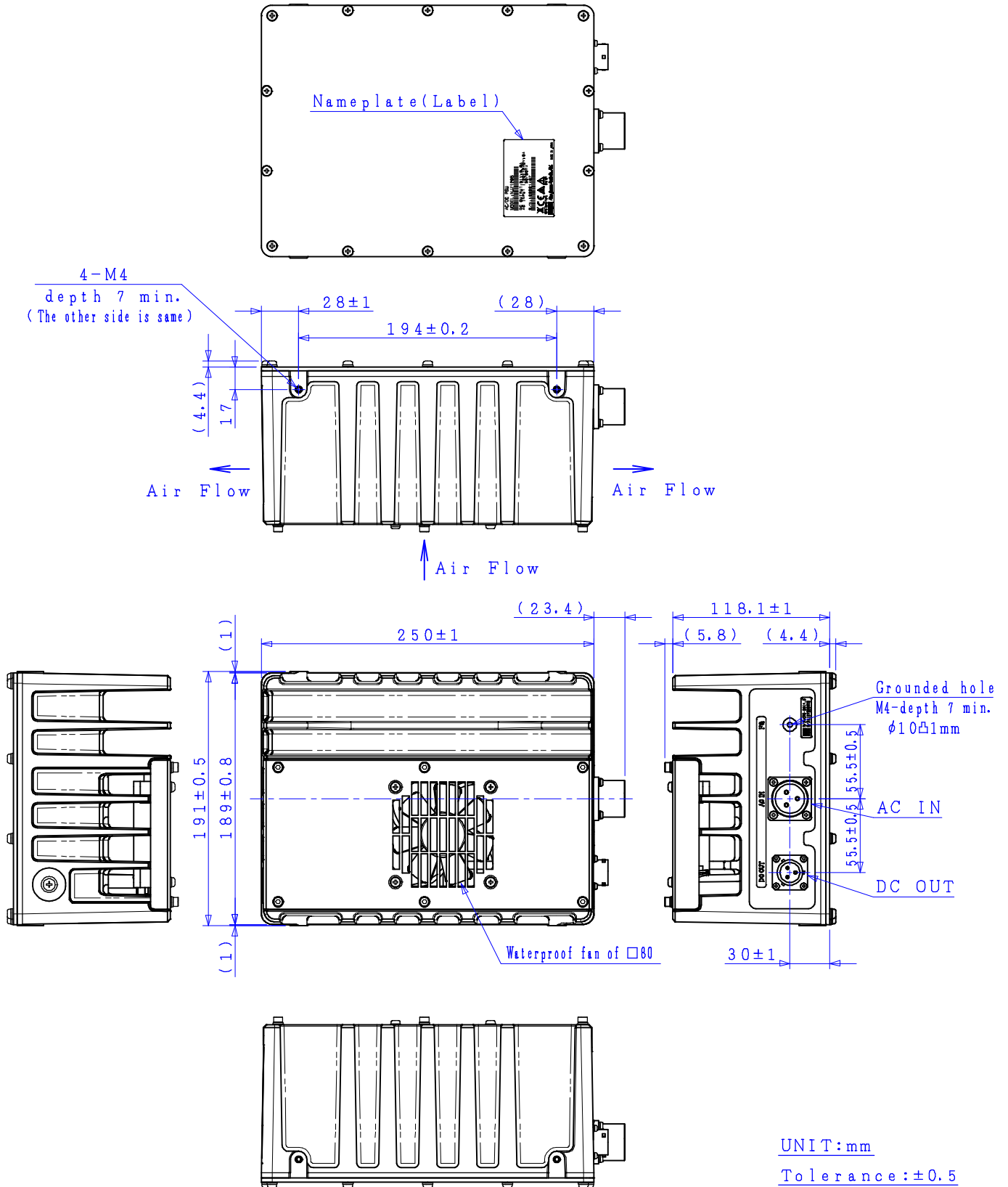
*Note3: Conditioned on connection with all of enclosed mating connectors.

5. Accessories

- AC Connector (Plug socket), Qty (1), Mating connector: GTS06CF-16-10S (025)
- MS Connector (Plug socket), Qty (1), Mating connector: PT06E-12-3S (470)

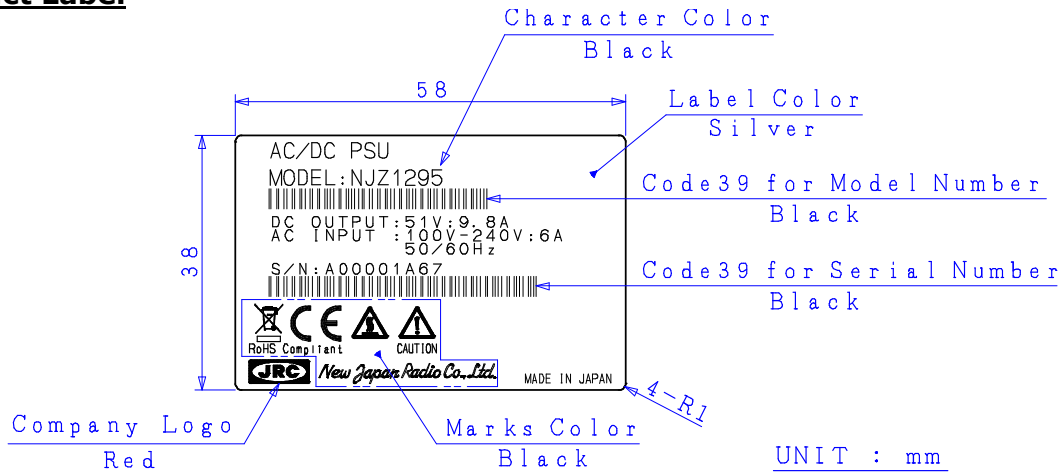
* Above Specifications are subject to change without notice.

6. Outline Drawing



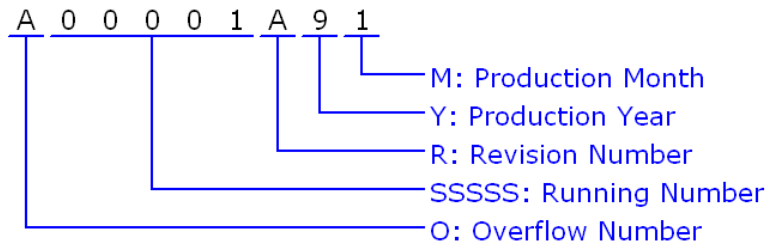
* Above Specifications are subject to change without notice.

7. Label Product Label



Definition of Serial Number

Serial Number (OSSSSSRYM) - ALPHANUMERIC (9 characters)



O: Overflow Number - ALPHABET (1 character)

"A" to "Z", e.g.: A99999 ⇒ B00001

SSSSS: Running Number - NUMBER (5 digits)

"00001" to "99999"

R: Revision Number - ALPHABET (1 character)

"A" to "Z"

Y: Production Year - NUMBER (1 digit)

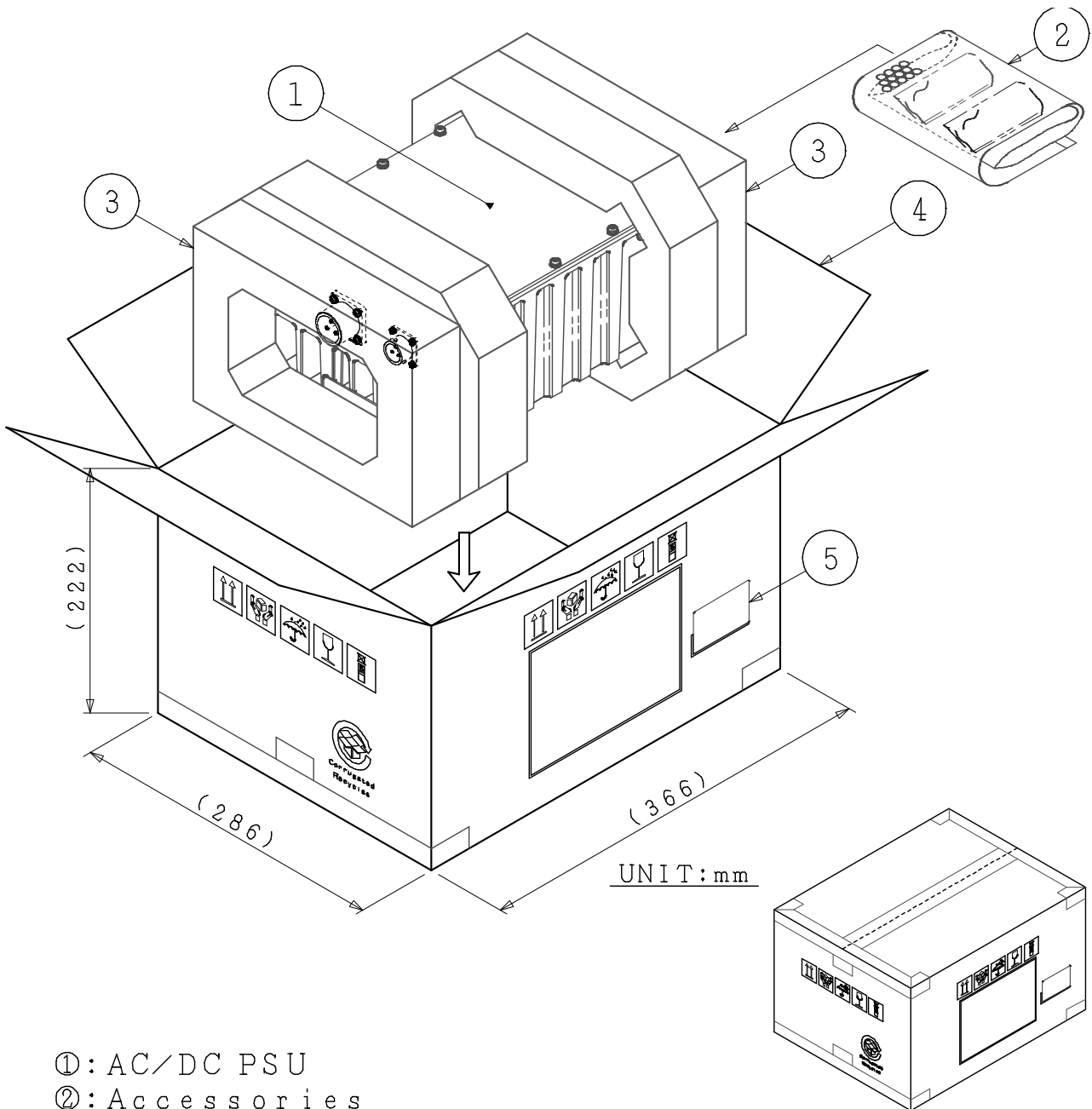
Calendar Number, e.g.: 2009:9, 2010:0, 2011:1, 2012:2

M: Production Month - ALPHANUMERIC (1 character)

"1" to "9", "X" as October, "Y" as November, "Z" as December

* Above Specifications are subject to change without notice.

8. Package



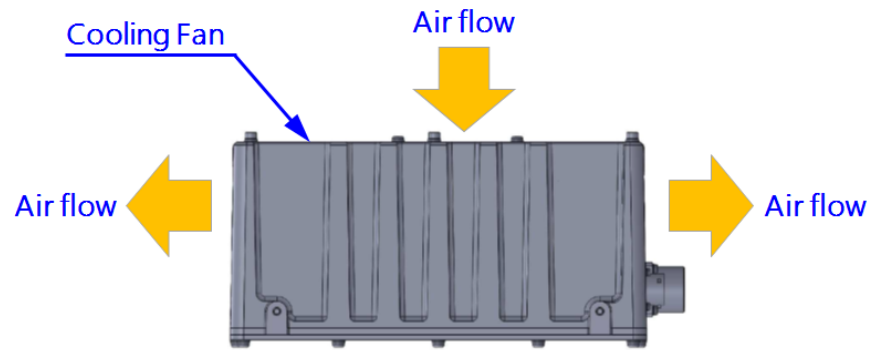
- ①: AC/DC PSU
- ②: Accessories
 - AC mating connector
GTS06CF16-10S(025)
 - MS mating connector
PT06E-12-3S(470)
- ③: Polyethylene foam for package cushioning
- ④: Double-faced corrugated fiberboard
- ⑤: Label

* Above Specifications are subject to change without notice.

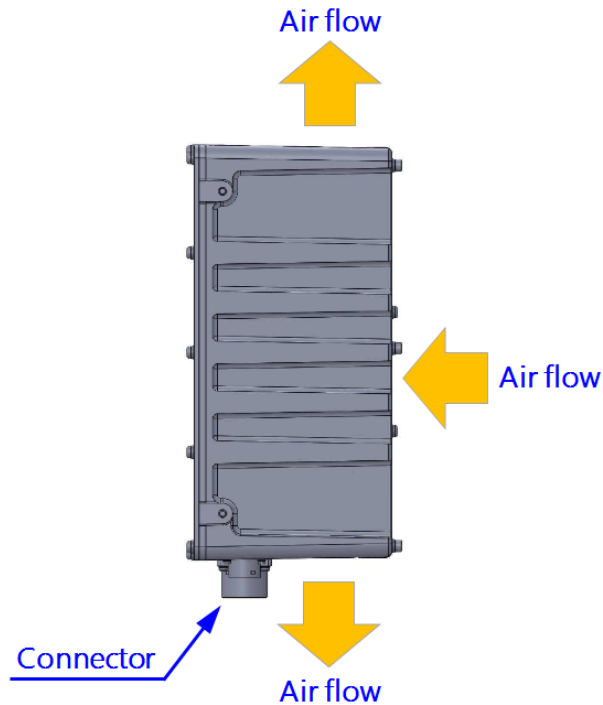
9. Install Instructions

Direction and Space

- a) Horizontal direction
Cooling fan side shall be set to upward direction



- b) Vertical direction
Connector side shall be set to downward direction



- c) Space
More than 30mm of space at least from inlet/outlet of cooling fan must be reserved.

* Above Specifications are subject to change without notice.