



### WAYFARER™ WDA120KU

#### 1.2m Ku-Band Drive-Away

Norsat's solution for reliable and easy-to-deploy mobile communications. The solid, low weight, and low height reflector mount deploys easily for fast and reliable satellite acquisition. Whether mounted on an emergency vehicular command center or a mobile broadcast van – count on Norsat's WAYFARER™ drive-away terminals for drive-away broadband-level communications capability.

#### FEATURES

- Easy and intuitive LinkControl™ Interface
- Heavy duty platform and reflector folding design
- Lightweight and durable carbon fiber reflector
- Fast, simple, intuitive one-button deployment on ACU
- From “stow-to-go” in under 8 minutes
- Automatic 3-axis acquisition
- Wide range of Norsat BUC and LNB configurations
- Includes easy-to-use IRU ACU for indoor operation



#### SPECIFICATIONS

##### ELECTRICAL

Reflector aperture	1.2m
Reflector material	Carbon fiber
Reflector type	Offset
Tx frequency	13.75 to 14.5 GHz
Rx frequency	10.70 to 12.75 GHz
Tx gain	42.8+20log(f/14.25) dBi
Rx gain	41.5+20log(f/12.5)dBi
Polarization	Linear
Cross polarization (On-Axis)	≥35 dB
Rx/Tx isolation	Rx ≥ 40dB Tx ≥ 85 dB
Sidelobe	First sidelobe ≤ -14 dB
Azimuth range	± 200°
Elevation range	10° to 90°
Polarization range	± 90°
Azimuth speed	0.1°/s to 6°/s
Elevation speed	0.1°/s to 6°/s
Polarization speed	0.1°/s to 6°/s
Feed interface	WR75
Power supply	AC110-230V 50/60Hz, rated 200W, 500W max

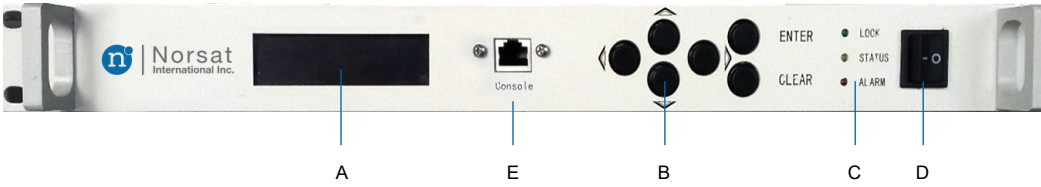
##### MOUNTING

Weight	≤85 Kg
Stowed size	176 cm (L) × 121 cm (W) × 38 cm (H)

##### ENVIRONMENTAL

Wind load - operational	72 km/h
Wind load - survival	90 km/h
Temperature	-30°C to +55°C
Humidity	0-95%
Water ingress	IP 65

# WAYFARERWDA120KU1.2MKU-BANDAUTODRIVE-AWAYANTENNA



- A - Primary ACU Display
- B - Navigation / Entry keys
- C - Status Indicator
- D - Power Switch
- E - Firmware Upgrade Console Input

## HOW TO ORDER

# WDA120KU-NA

### AC POWER PLUG

- NA = North America (NEMA 5/15)
- UK = United Kingdom (BS 1363)
- EU = Europe (CEE 7/7)
- IEC = IEC (60320 CIA)
- CN = China (Type I Plug)

## ACCESSORY OPTIONS

### BUC OPTIONS

- 2W
- 3W
- 4W
- 6W
- 8W
- 10W
- 16W
- 20W
- 40W

### BUC

- ELMTBKU002
- ELMTBKU003
- ELMTBKU004
- ELMTBKU006
- ELMTBKU008
- ELMTBKU010
- ATOMBKU016
- ATOMBKU020
- ATOMBKU040

### BUC POWER SUPPLY

- Via IFL Cable Connection
- Via IFL Cable Connection
- Via IFL Cable Connection
- Via IFL Cable Connection
- Via IFL Cable Connection
- Via IFL Cable Connection
- PS300-AT1(NA/UK/EU/IEC)
- PS300-AT1(NA/UK/EU/IEC)
- PS300-AT1(NA/UK/EU/IEC)

### BUC M & C CABLE

- Not Applicable
- Not Applicable
- Not Applicable
- Not Applicable
- Not Applicable
- Not Applicable
- CABLEM+C-AT10
- CABLEM+C-AT10
- CABLEM+C-AT10

### BUC MOUNTING BRACKETS

- WDA120KUMT-004
- WDA120KUMT-004
- WDA120KUMT-004
- WDA120KUMT-006
- WDA120KUMT-008
- WDA120KUMT-010
- WDA120KUMT-024
- WDA120KUMT-024
- WDA120KUMT-024

## LNB OPTIONS

LNB 1000H or HS1000, with Type F (75 Ohm) Connector

## IFL CABLE OPTIONS

IFL Cable (10m)

### NN-FF

IFL-NN-FF-10

### NN-NN

IFL-NN-NN-10

## MODEM CABLE OPTION (For iDirect product only)

MOD-CABLE

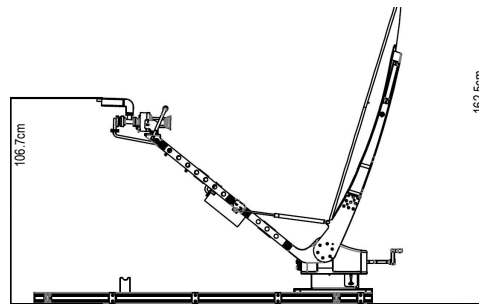
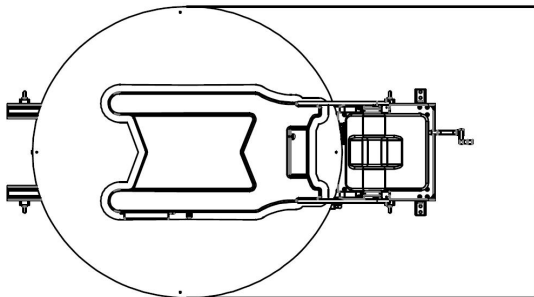
## WIND DEFLECTOR

WDA120WIND

## INTEGRATION

**WF-INT** Assembly, function verification, and pointing test (standard product/RF packages only)

Custom integration also available. Contact [sales@norsat.com](mailto:sales@norsat.com) for more information.



Esatcom Inc  
Tel: 718.276.0800  
Email: [sales@esatcom.com](mailto:sales@esatcom.com)

Norsat authorized distributor