



# BUC/SSPA

## KU-BAND 40W

### ATOMBKU040

#### SPECIFICATIONS



<b>Output Power (Psat)</b>	47 dBm min.
<b>Output Power (P1dB)</b>	46 dBm min.
<b>Phase Noise (SSB) max.</b>	-72 dBc/Hz at 1kHz -82 dBc/Hz at 10kHz -92 dBc/Hz at 100kHz -102 dBc/Hz at 1MHz
<b>Linear Gain</b>	≥ 60 dB
<b>Gain Flatness: (BUC)</b>	<b>Over Full Band</b> ≤ 6.0 dB p-p <b>Over Any 40 MHz</b> ≤ 2.0 dB p-p <b>Over Temperature</b> ≤ 3.0 dB p-p
<b>Gain Flatness: (SSPA)</b>	<b>Over Full Band</b> ≤ 8.0 dB p-p <b>Over Any 40 MHz</b> ≤ 3.0 dB p-p <b>Over Temperature</b> ≤ 3.0 dB p-p
<b>Output Spurious: (BUC)</b>	<b>In-Band</b> ≤ -55 dBc <b>Out-of-Band @ P1dB</b> ≤ -55 dBc
<b>Output Spurious: (SSPA)</b>	<b>In-Band</b> ≤ -60 dBc <b>Out-of-Band @ P1dB</b> ≤ -55 dBc
<b>Noise Power Density</b>	-65 dBm/Hz in Tx -65 dBm/Hz in Rx
<b>Input VSWR</b>	2.0 : 1 max.
<b>Output VSWR</b>	2.0 : 1 max.

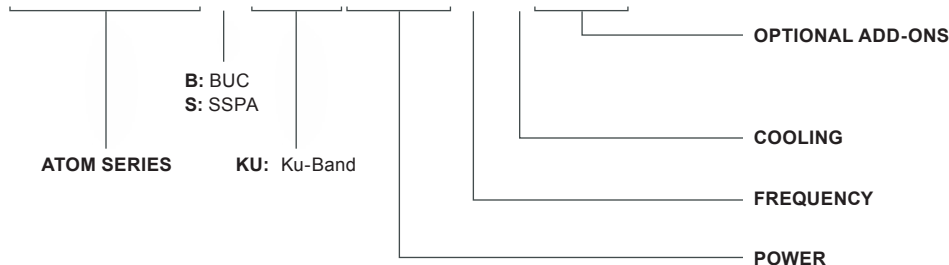
<b>Input Voltage</b>	+ 18V to + 56V DC via power connector
<b>Power Consumption</b>	305 W max.
<b>Power Connector</b>	MIL-26482 Series 1 receptacle Shell Size 12, 4 Pins 58-533723-04P
<b>Input (waterproof)</b>	Type N Connector (50 Ohm)
<b>Output (waterproof)</b>	WR-75 waveguide grooved
<b>M&amp;C Interface</b>	RS-485 & RS-232
<b>Dimensions (L x W x H) max.</b>	169 mm x 90 mm x 193 mm (6.62 in x 3.58 in x 7.60 in)
<b>Weight</b>	< 2.5 kg (5.85 lb)
<b>Operating Temperature</b>	-40 to +60°C
<b>Storage Temperature</b>	-50 to +80°C
<b>Humidity</b>	100 % condensing
<b>External Ref Freq</b>	10MHz (sine-wave), -5 to +5 dBm
<b>Enclosed Accessories</b>	Screws, Gasket, M&C Connector, Power Connector

#### FREQUENCY BANDS

	<b>S: Standard</b>	<b>E: Extended</b>
<b>Transmit Frequency (GHz)</b>	14.0 - 14.5	13.75 - 14.5
<b>L.O. Frequency (GHz)</b>	13.05	12.80
<b>IF Frequency (MHz)</b>	950 - 1450	950 - 1700

#### HOW TO ORDER

## ATOMBKU040S1FIP



**BLANK:** No Add-on  
**F:** EMI/EMC Filter  
**I:** Internal Reference  
**P:** Surge Protection  
**FI:** EMI/EMC Filter & Internal Reference  
**IP:** Internal Reference & Surge Protection  
**FP:** EMI/EMC Filter & Surge Protection  
**FIP:** EMI/EMC Filter, Internal Reference & Surge Protection

**1:** Internal Fan  
**2:** External Baseplate

**S:** Standard  
**E:** Extended

**040:** 40W





## KU-BAND 40W BUC: ATOMBKU040

### MONITOR & CONTROL

<b>M&amp;C Interface:</b>	RS-485 & RS-232
<b>M&amp;C Connector:</b>	MIL-26482 Series 1 receptacle, Shell Size 12, 10 Pins 58-533723-10P
<b>Mute Control:</b>	Fully configurable (mute enable: high or low, mute default: enabled or disabled)
<b>Low</b>	0.0 - 0.8V
<b>High</b>	3.0 - 5.0V

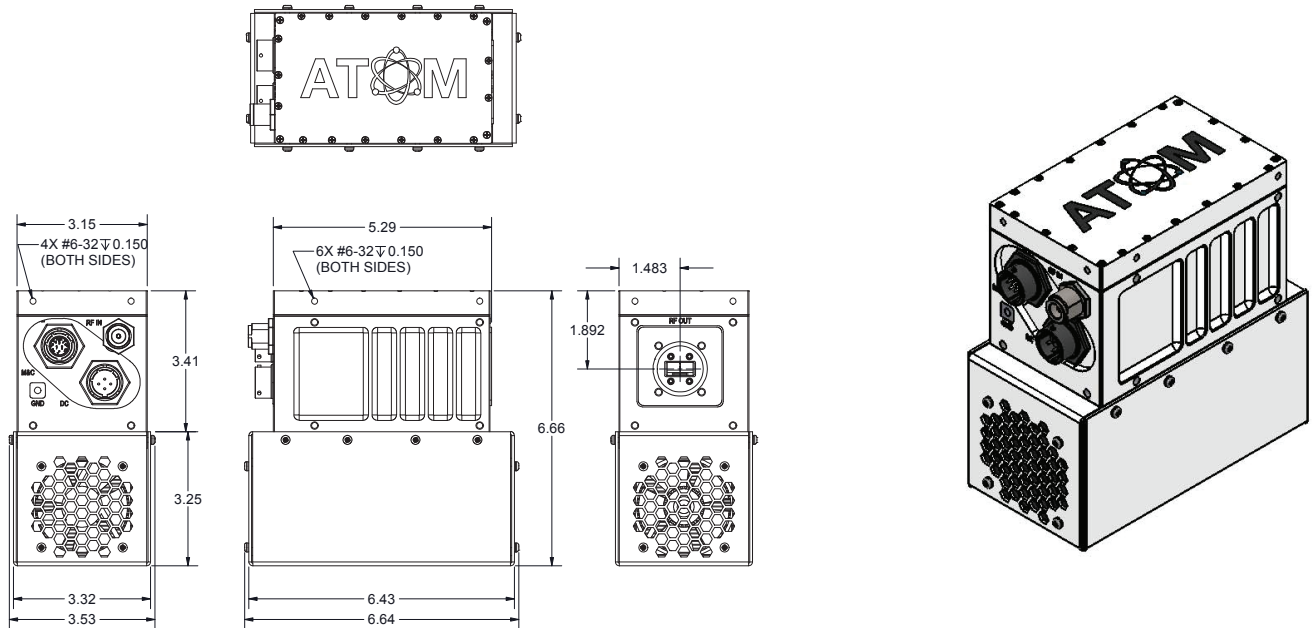
### OPTIONAL CONFIGURATION ADD-ONS

<b>EMI/EMC Filter:</b>	MIL-STD-461
<b>Internal Reference:</b>	With External 10 MHz Reference Auto-Switch
<b>Surge Protection:</b>	MIL-STD-1275D

### OPTIONAL ACCESSORIES

<b>Power Supply</b>	PS300-AT1-(NA/UK/EU/IEC)
<b>M&amp;C Cable</b>	CABLEM+C-AT10

### MECHANICAL DIAGRAM



Esatcom Inc  
Norsat authorized distributor

Tel  
718.276.0800

Email  
sales@esatcom.com