



BUC GaN

KU-BAND 80W

ATOMBKUG

SPECIFICATIONS



Linear Power* (P_{lin})	46 dBm min.
Output Power (P_{sat})	49 dBm min.
Phase Noise (SSB) max.	-73 dBc/Hz at 1kHz -83 dBc/Hz at 10kHz -93 dBc/Hz at 100kHz -103 dBc/Hz at 1MHz
Linear Gain (BUC)	60 dB min., 70 dB max.
Gain Flatness:	
Over Full Band	≤ 6.0 dB p-p
@P_{lin} Over Any 40 MHz	≤ 1.5 dB p-p
Over Temperature	≤ 3.0 dB p-p
Output Spurious:	
In-Band	≤ -60 dBc
Out-of-Band	≤ -60 dBc
Noise Power Density	-90 dBm/Hz in Tx -144 dBm/Hz in Rx
Input VSWR	2.0 : 1 max.
Output VSWR	2.6 : 1 max.
MIL-STD-810 Compliant	

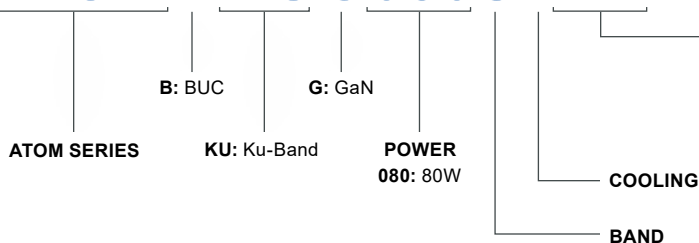
Input Voltage	+ 18V to + 56V DC via power connector
Power Consumption	370 W max.
Power Connector	MIL-26482 Series 1 receptacle Shell Size 12, 4 Pins 58-533723-04P
Input (waterproof)	Type N Connector (50 Ohm)
Output (waterproof)	WR-75 waveguide grooved
M&C Interface	RS-485 & RS-232 Ethernet
Dimensions (L x W x H) max (With Fan)	160 mm x 95 mm x 166 mm (6.59 in x 3.74 in x 6.51 in)
Dimensions (L x W x H) max (Without Fan)	168 mm x 85 mm x 80 mm (6.59 in x 3.35 in x 3.16 in)
Weight (With Fan)	< 2.8 kg (6.2 lb)
Weight (Without Fan)	< 2.3 kg (5.1 lb)
Operating Temperature	-40 to +60°C (P _{sat}) -40 to +71°C (P _{lin})
Storage Temperature	-50 to +80°C
Humidity	100% condensing
Enclosed Accessories	Screws, Gasket, M&C Connector, Power Connector

FREQUENCY BANDS

	S: Standard	E: Extended
Transmit Frequency (GHz)	14.0 - 14.5	13.75 - 14.5
L.O. Frequency (GHz)	13.05	12.80
IF Frequency (MHz)	950 - 1450	950 - 1700

HOW TO ORDER

ATOMBKUG080S1FIP



- BLANK:** No Add-on
OPTIONAL ADD-ONS (80W only):
F: EMI/EMC Filter
I: Internal Reference
P: Surge Protection
FI: EMI/EMC Filter & Internal Reference
IP: Internal Reference & Surge Protection
FP: EMI/EMC Filter & Surge Protection
FIP: EMI/EMC Filter, Internal Reference & Surge Protection
- 1:** Internal Fan
2: External Baseplate
- S:** Standard
E: Extended





KU-BAND 80W BUC: ATOMBKUG

MONITOR & CONTROL

M&C Interface:	RS-485 & RS-232	MIL-26482 Series 1 receptacle Shell Size 12, 10 Pins 58-533723-10P
	Ethernet	MIL-26482 Series 1 receptacle Shell Size 10, 6 Pins 58-533722-06P
Mute Control:		Fully configurable (mute enable: high or low, mute default: enabled or disabled)
	Low	0.0 - 0.8V
	High	3.0 - 5.0V

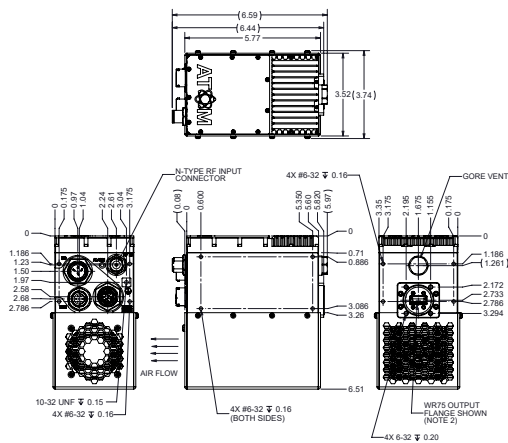
OPTIONAL CONFIGURATION ADD-ONS (80W ONLY)

EMI/EMC Filter:	MIL-STD-461
Internal Reference:	With External 10 MHz Reference Auto-Switch
Surge Protection:	MIL-STD-1275D
Power Supply	040: PS300-AT1-(NA/UK/EU/IEC) 080: PS600-AT1-(NA/UK/EU/IEC)
M&C Cable	CABLEM+C-AT10

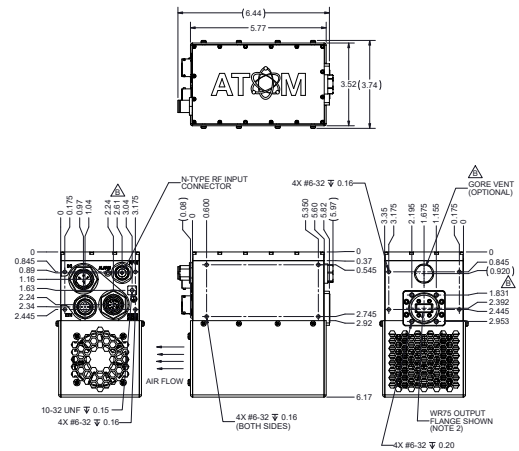
OPTIONAL ACCESSORIES

MECHANICAL DIAGRAM

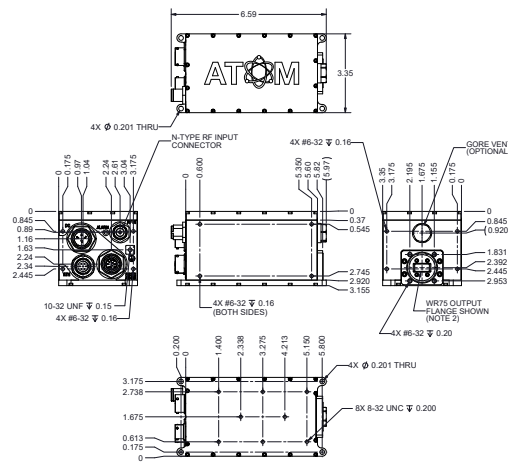
ATOM BUC with internal fans and surge protection



ATOM BUC with internal fans



ATOM BUC with external baseplate



Esatcom Inc
Norsat authorized distributor

Tel: 718.276.0800
Email: sales@esatcom.com