



BUC

KU-BAND 40W

MEDIBKU040



SPECIFICATIONS

Output Power (Psat)	46 dBm min.
External Reference	10 MHz
Reference Power Level	-5 dBm to +5dBm
Phase Noise (SSB) max.	-73 dBc/Hz at 1 KHz -83 dBc/Hz at 10 KHz -93 dBc/Hz at 100 KHz -103 dBc/Hz at 1 MHz
Input VSWR	1.5 : 1
Output VSWR	1.25 : 1
Gain	65 dB nominal
Gain Flatness:	+/- 1.5 dB over full std band +/- 2.0 dB over full ext band +/- 0.5 dB over 36 MHz
Gain variation over temperature	+/- 1.5 dB
Output Spurious	-55 dBc max
IM3	25 dBc at 3 dB back-off from rated 30 dBc at 6 dB back-off from rated
Gain Adjustment Range	20 dB

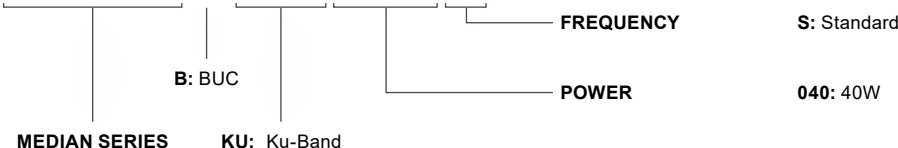
Input Voltage	+36 to +72V, 48 VDC nominal 48 VDC over IFL optional
Power Consumption	300W at rated power 270W at 3 dB back-off from rated
Input Connector	Type-N, female
Output Connector	WR75-G (grooved)
M&C Interface	RS-232 / RS-485 / Ethernet
M&C Connector	PT02E-14-19P (MS3112)
LED Indicators	Red, Yellow
Dimensions (L x W x H)	206 mm x 136 mm x 117 mm
Weight	4.5 kg
Operating Temperature	-30°C to +55°C
Humidity	IP65

FREQUENCY BANDS

Output frequency (MHz)	14.0 – 14.5 GHz
L.O. frequency (GHz)	13.05 GHz
Input frequency (MHz)	950 – 1450 MHz

HOW TO ORDER

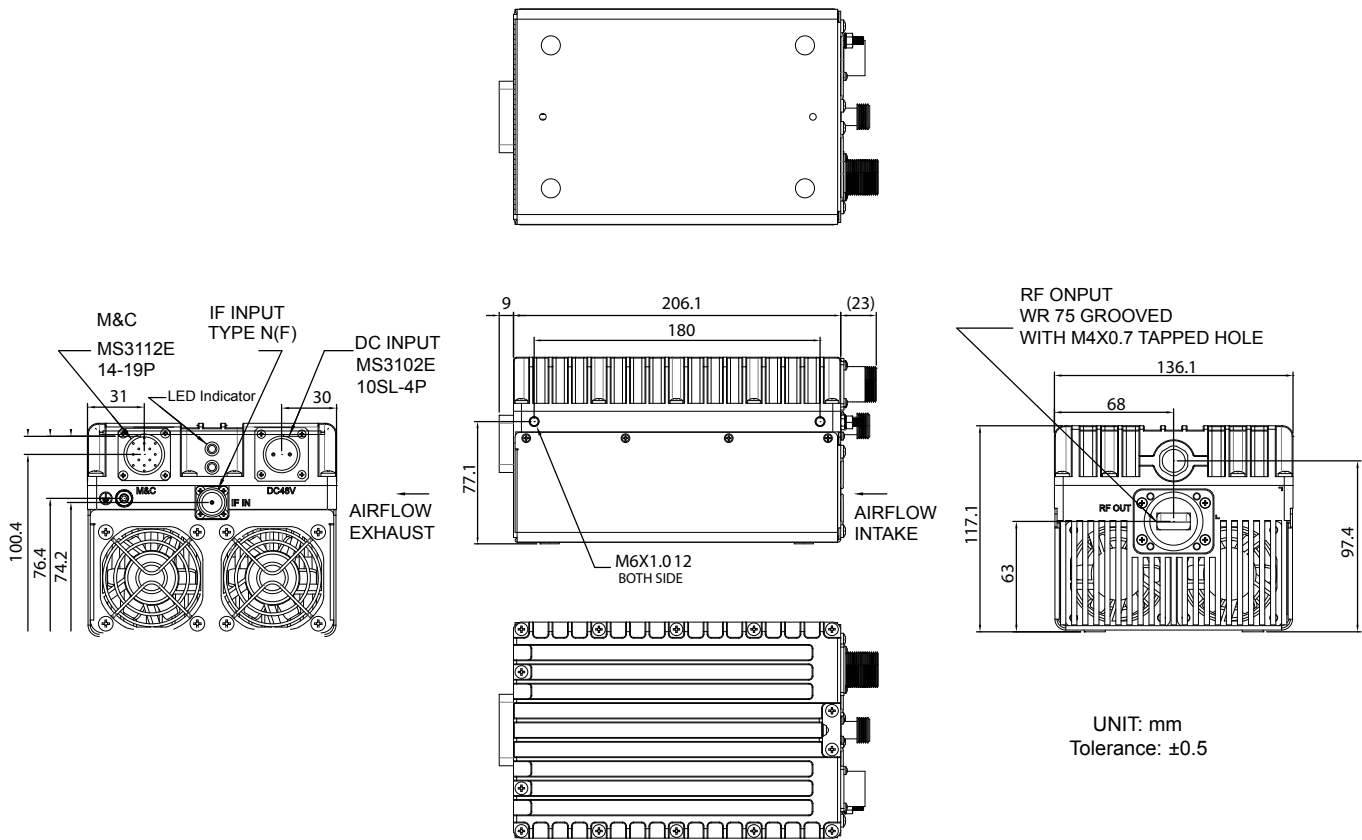
MEDIBKU040S





KU-BAND 40W BUC - MEDIBKU040

MECHANICAL DIAGRAM



Esatcom Inc
Norsat authorized distributor

Tel
718.276.0800

Email
sales@esatcom.com