



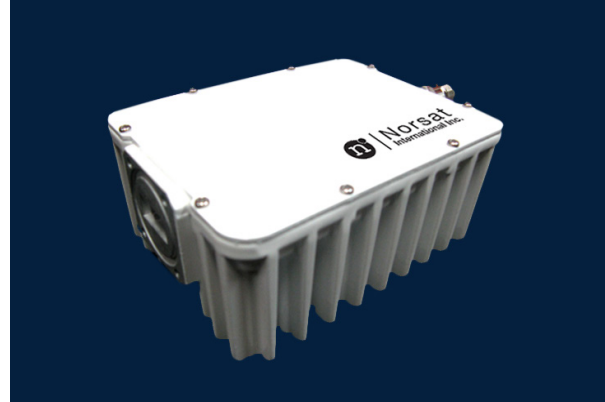
BUC

KU-BAND 2W 3W 4W

ELMTBKU

ELEMENT SERIES

SPECIFICATIONS



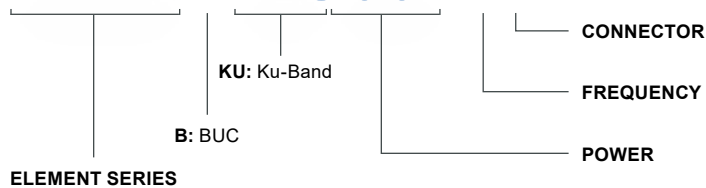
	ELMTBKU002	ELMTBKU003	ELMTBKU004		ELMTBKU002	ELMTBKU003	ELMTBKU004
Output Power (P1dB)	33 dBm min.	34 dBm min.	36 dBm min.	Input Voltage	+15V to +24V DC via IFL		
Output Power (Psat)	33.5 dBm min.	34.3 dBm min.	36.5 dBm min.	Power Consumption	18W max.	18W max.	35W max.
Phase Noise (SSB) max.		-60 dBc/Hz at 100Hz -70 dBc/Hz at 1kHz -80 dBc/Hz at 10kHz -90 dBc/Hz at 100kHz		Input (waterproof)	Type F Connector (75 Ohm) Type N Connector (50 Ohm)		
Linear Gain		2W, 3W: 55 dB typ., 50 dB min., 60 dB max. 4W: 58 dB typ., 50 dB min., 60 dB max.		Output (waterproof)	WR-75 waveguide grooved		
Gain Flatness: Over Full Band Over Any 40 MHz Over Temperature		≤ 4.0 dB p-p ≤ 1.5 dB p-p ≤ 4.0 dB p-p		Dimensions (L x W x H)	128.4 mm x 95.1 mm x 58.3 mm (5.05 in x 3.74 in x 2.29 in)		
Output Spurious: In-Band Out-of-Band		≤ -60 dBc ≤ -50 dBc		Weight	700g (1.54 lb)		
Noise Power Density		-80 dBm/Hz in Tx -156 dBm/Hz in Rx		Operating Temperature	-40 to +55°C		
Input VSWR		2.0 : 1 max.		Storage Temperature	-40 to +80°C		
Output VSWR		2.0 : 1 max.		Humidity	0-100% condensing		
				External Ref Freq	10 MHz (sine-wave), -5 to +5 dBm		
				Enclosed Accessories	Screws, Gasket		

FREQUENCY BANDS

	S: Standard	E: Extended
Transmit Frequency (GHz)	14.0 - 14.5	13.75 - 14.5
L.O. Frequency (GHz)	13.05	12.80
IF Frequency (MHz)	950 - 1450	950 - 1700

HOW TO ORDER

ELMTBKU002-EF



F: Type F Connector (75 Ohm)
N: Type N Connector (50 Ohm)

S: Standard
E: Extended

002: 2W
003: 3W
004: 4W



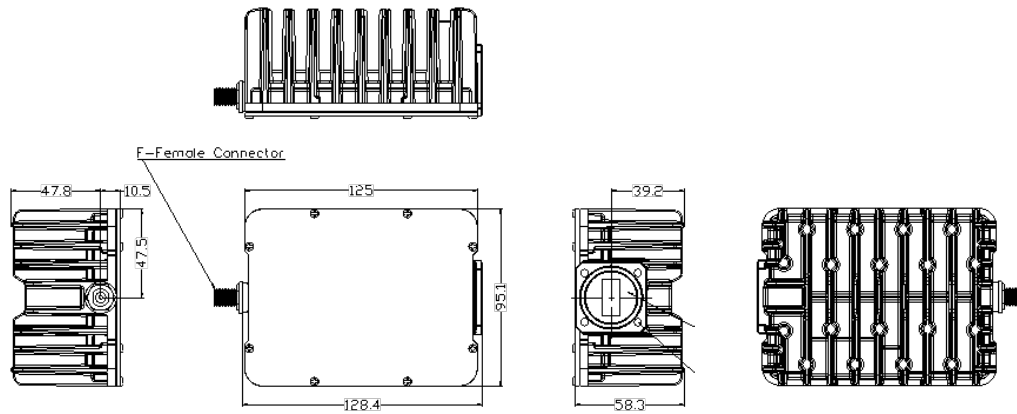


Norsat
International Inc.

Innovative Communication Solutions

KU-BAND 2W 3W 4W BUC: ELMTBKU

MECHANICAL DIAGRAM



Esatcom Inc
Norsat authorized distributor

Tel
718.276.0800

Email
sales@esatcom.com