



# BDC

## C-BAND EXT REF

### 3000X SERIES

### SPECIFICATIONS

<b>Noise Figure</b>	10 dB max. at room temp.
<b>L.O. Stability</b>	Phase Locked to External Reference
<b>Phase Noise (SSB) max.</b>	Depends on External Reference
<b>Input VSWR</b>	2.0 : 1 max.
<b>Output VSWR</b>	2.0 : 1 max.
<b>Gain</b>	40 dB typ., 38 dB min., 42 dB max.
<b>Gain Flatness (over full band)</b>	≤ 4 dB p-p
<b>Output P1dB</b>	+ 5 dBm min.



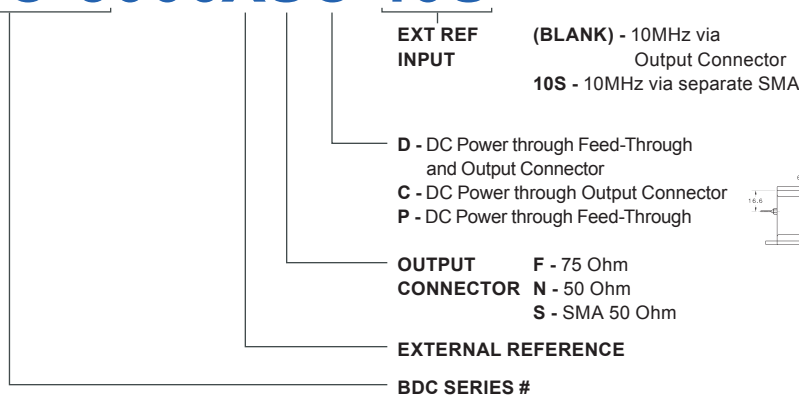
<b>DC Power</b>	+ 12V to + 24V DC
<b>Via</b>	Feed-Through and Output Connector Output Connector Feed-Through
<b>Current</b>	300 mA max.
<b>Input (waterproof)</b>	SMA-Connector (50 Ohm)
<b>Output (waterproof)</b>	F-Connector (75 Ohm) N-Connector (50 Ohm) SMA-Connector (50 Ohm)
<b>Dimensions (L x W x H)</b>	129 mm x 94 mm x 46 mm (5.07 in x 3.70 in x 1.81 in)
<b>Weight</b>	700 g (24.70 oz)
<b>Operating Temperature</b>	- 40 to + 60°C
<b>Storage Temperature</b>	- 40 to + 80°C
<b>External Ref Freq</b>	10 MHz (sine-wave), -10 to 0 dBm

### FREQUENCY BANDS

<b>Frequency Band (GHz)</b>	3.40 - 4.20
<b>L.O. Frequency (GHz)</b>	5.15
<b>IF Frequency (MHz)</b>	950 - 1750

### HOW TO ORDER

## BDC-3000XSC-10S



### MECHANICAL DIAGRAM

