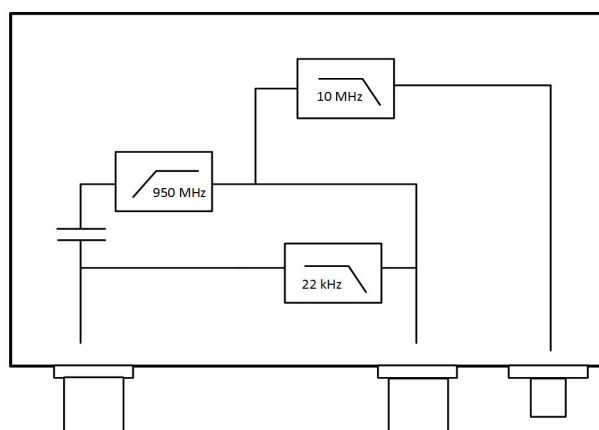


## 10 MHz Diplexer

*Diplexer for insertion of 10 MHz with bypass of 22 kHz and DC*

The L-Band / 10 MHz diplexer is used when an external 10 MHz reference signal input is needed for an LNB or BUC. Used together with SMW 10 MHz ref. oscillator or other 10 MHz signal source.



L-Band + DC + 22kHz

L-Band + DC + 22 kHz + 10 MHz input + 10 MHz

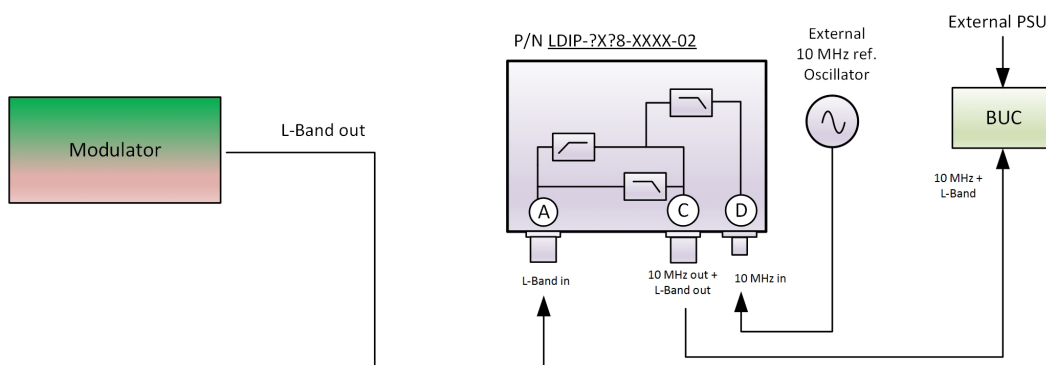
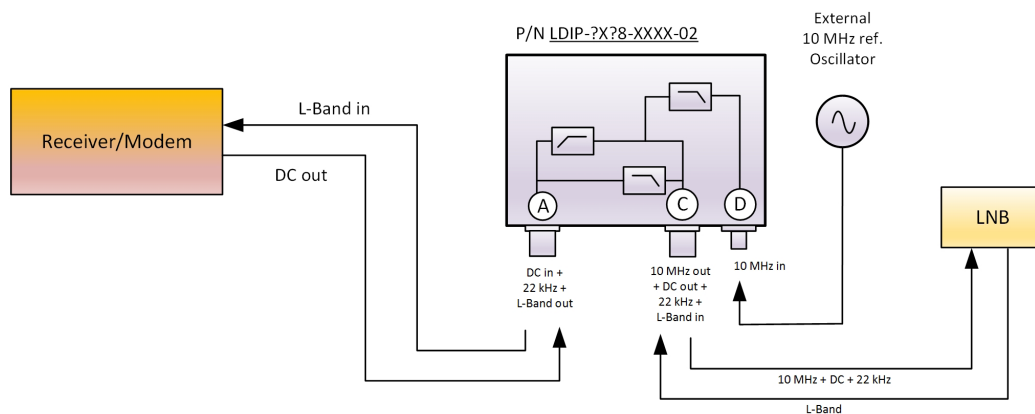
### TECHNICAL SPECIFICATIONS

MODEL:	LDIP - 10 MHz Diplexer
L-Band Frequency Range	950 - 2150 MHz
DC Input	+13 to +28 V
Maximum Load	1 A
IF Insertion Loss	1 dB @ 950-2150 MHz max.
Return Loss 10 MHz Input	> 20 dB
Return Loss 10 MHz Output	> 20 dB
Return Loss L-band Input / Output	N- and SMA-connector: min. 10dB, typ 15 dB, with F connector min. 8dB, typ. 13 dB
10 MHz Harmonic Suppression	> 70 dBc @ L-Band output, > 40 dBc @ separate 10 MHz output
Temperature Range	-40 to +80°C
Ingress Protection Code	IP 67
Connectors	F-type 75Ω / N-type 50Ω / SMA-type 50Ω
Dimensions	96 x 28 x 89 mm ( N connectors ) ( for drawing, see <a href="http://www.smw.se">www.smw.se</a> )
Weight	209 g ( F & SMA connectors ), 249 g ( N connectors )
22 kHz Bypass	Through receiver or external source, n/a with DC Block IN or OUT
Options	Connector L-Band F, N or SMA type

Specifications are subject to change without notice. Products from Swedish Microwave AB are made for commercial use.

Rev.10-20-4B

# 10 MHz Diplexer examples



**Part number designation for the 10 MHz Diplexer**

Model	Connector A		Sep. DC input B		Connector C		Connector D		DC Block A	DC Block C	Future use	Future use	Version
LDIP	?		X	N/A	?		8		X	X	X	X	02
	0	F	X	N/A	0	F	8	SMA (only)	X	No DC block			
	5	N			5	N							
	8	SMA			8	SMA							

**Example:** L-Band out + DC + 22 kHz in(N), L-Band in + DC + 22 kHz out (N), 10 MHz input (SMA), = **LDIP-5X58-XXXX-02**

Specifications are subject to change without notice. Products from Swedish Microwave AB are made for commercial use.

Rev.10-20-4B



Esatcom Inc  
SMW authorized distributor  
www.esatcom.com

Tel  
718.276.0800

Email  
sales@esatcom.com