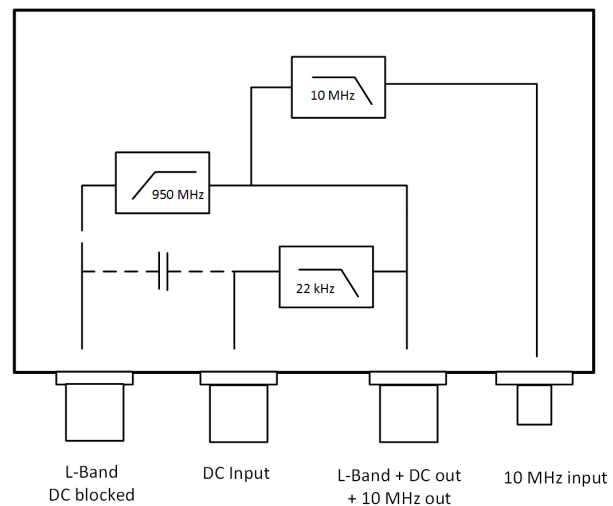


# 10 MHz Diplexer & DC Inserter

*Diplexer for insertion  
of 10 MHz and DC  
with bypass of 22 kHz*

The L-Band DC Inserter (LNB) / 10 MHz diplexer (LNB or BUC) is used when an external 10 MHz reference signal input is needed for an LNB or BUC. Recommended to use with SMW 10 MHz ref. oscillator or another 10 MHz signal source.

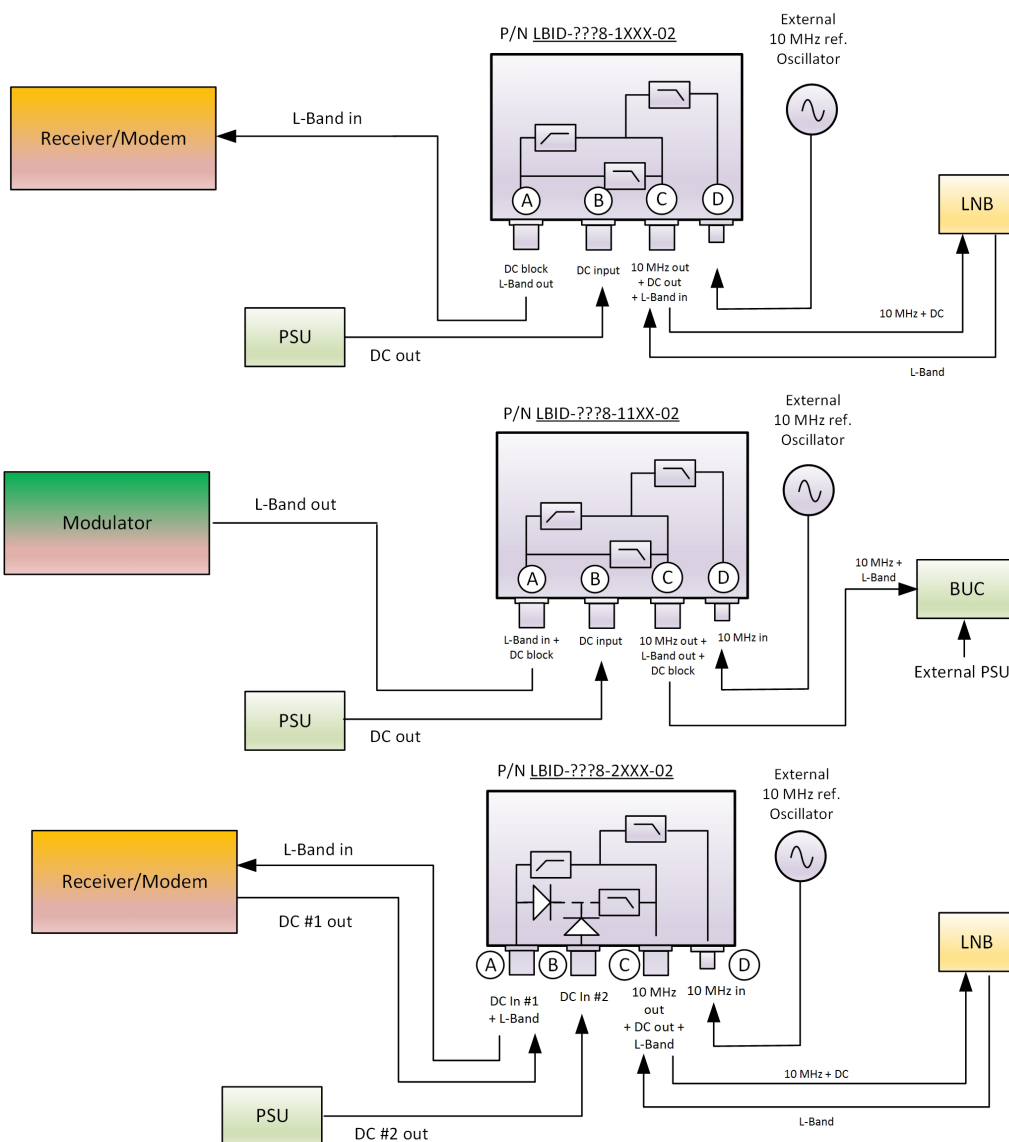
Separate DC insertion (max. 1A) via connector or DC cable (pigtail).



## TECHNICAL SPECIFICATIONS

| MODEL:                            | LBID - 10 MHz Diplexer / DC Inserter   |
|-----------------------------------|--|
| L-Band Frequency Range            | 950 - 2150 MHz   |
| DC Input                          | +13 to +28 V   |
| Maximum Load                      | 1 A  |
| IF Insertion Loss                 | 1 dB @ 950-2150 MHz max.   |
| Return Loss 10 MHz Input          | > 20 dB  |
| Return Loss 10 MHz Output         | > 20 dB  |
| Return Loss L-band Input / Output | N- and SMA-connector: min. 10dB, typ. 15 dB, with F connector min. 8dB, typ. 13 dB               |
| 10 MHz Harmonic Suppression       | > 70 dBc @ L-Band output, > 40 dBc @ separate 10 MHz output                                      |
| Temperature Range                 | -40 to +80°C   |
| Ingress Protection Code           | IP 67  |
| Connectors                        | F-type 75Ω / N-type 50Ω / SMA-type 50Ω   |
| Dimensions                        | 96 x 28 x 89 mm ( N connectors ) ( for drawing, see <a href="http://www.smw.se">www.smw.se</a> ) |
| Weight                            | 209 g ( F & SMA connectors ), 249 g ( N connectors )   |
| 22 kHz Bypass                     | Through receiver or external source, n/a with DC Block IN or OUT                                 |
| Options                           | Connector L-Band & DC F, N or SMA type, Pigtail 2m for DC input                                  |

## 10 MHz Diplexer & DC Inserter examples



### Part number designation for the 10 MHz Diplexer & DC Inserter

| Model | Connector A |     | Sep. DC input B |         | Connector C |     | 10 MHz in | DC Block A | DC Block C  | Future use | Future use | Version |
|-------|-------------|-----|-----------------|---------|-------------|-----|-----------|------------|-------------|------------|------------|---------|
| LBID  | ?           | ?   | ?               | ?       | ?           | ?   | 8         | ?          | ?           | X          | X          | 02      |
|       | 0           | F   | X               | No      | 0           | F   | 8         | X          | No DC block |            |            |         |
|       | 5           | N   | 0               | F       | 5           | N   |           | 1          | DC Block    |            |            |         |
|       | 8           | SMA | 5               | N       | 8           | SMA |           | 2          | DC in A + B |            |            |         |
|       |             |     | 8               | SMA     |             |     |           |            |             |            |            |         |
|       |             |     | 9               | Pigtail |             |     |           |            |             |            |            |         |

**Example:** L-Band out + DC Block (N), DC input (Pigtail), L-Band in + 10 MHz + DC out (N), 10 MHz in (SMA) = **LBID-5958-1XXX-02**

Rev. B

Specifications are subject to change without notice. Products from Swedish Microwave AB are made for commercial use.

Rev.10-20-4B



Esatcom Inc  
SMW authorized distributor  
www.esatcom.com

Tel  
718.276.0800

Email  
sales@esatcom.com