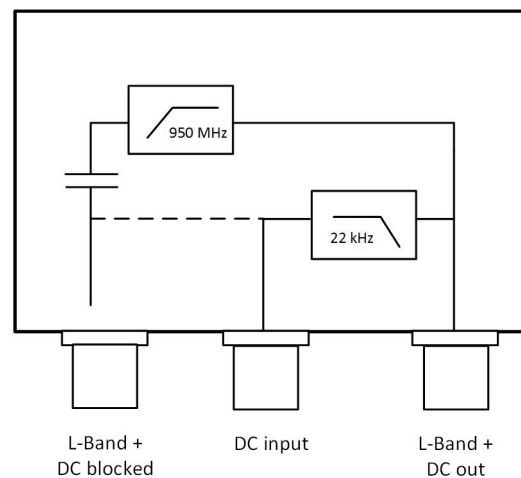
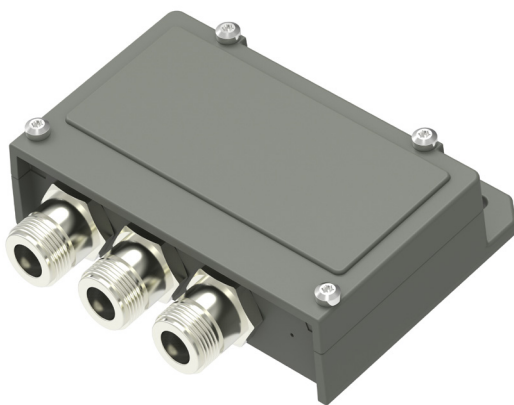


Bias Tee / DC Inserter

Diplexer for insertion of DC with bypass of 10 MHz & 22 kHz

The Bias-Tee is used when an external DC input is needed i.e. Receiver / Modem don't have DC out or the installation requires an external DC feed.



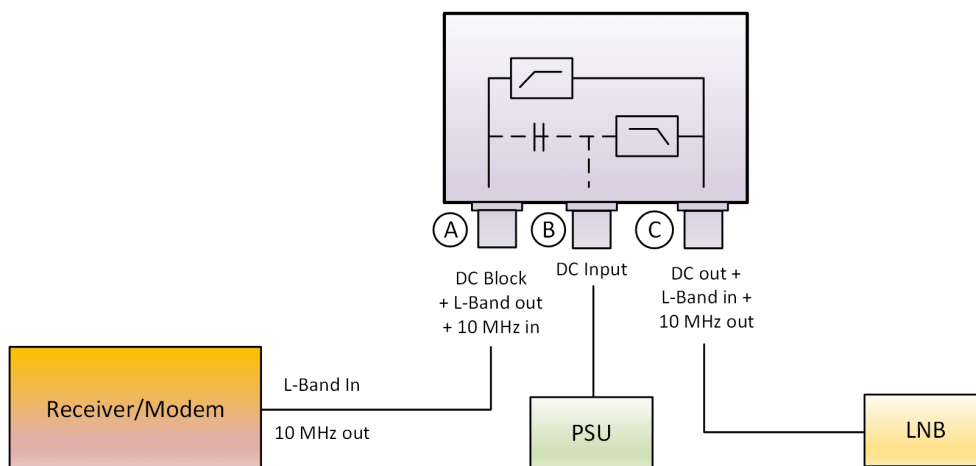
TECHNICAL SPECIFICATIONS

MODEL:	LBIT - Bias Tee / DC Inserter
L-Band Frequency Range	950 - 2150 MHz
DC Input	+13 to +28 V
Maximum Load	1 A
IF Insertion Loss	1 dB @ 950-2150 MHz max.
Return Loss L-band Input / Output	N- and SMA-connector: min. 10dB, typ 15 dB, with F connector min. 8dB, typ. 13 dB
Temperature Range	Storage and operating: -40 to +80°C
Ingress Protection Code	IP 67
Connectors	F-type 75Ω / N-type 50Ω / SMA-type 50Ω
Dimensions	96 x 28 x 89 mm (N connectors) (for drawing, see www.smw.se)
Weight	209 g (F & SMA connectors), 249 g (N connectors)
22 kHz Bypass	Through receiver or external source, n/a with DC Block IN or OUT
10 MHz Bypass	Yes, standard
Options	Connector L-Band & DC F, N or SMA type, Pigtail 2m for DC input

Bias Tee / DC Inserter examples



Installation example, Bias Tee / DC inserter



Part number designation for the Bias Tee / DC Inserter

Model	Connector A		Sep. DC input B		Connector C		DC Block A	DC Block C	Future use	Future use	Version
LBIT	?		?		?		?	?	X	X	02
	0	F	X	No	0	F	X				N/A
	5	N	0	F	5	N					
	8	SMA	5	N	8	SMA	X	No DC block			
			8	SMA							
			9	Pigtail			1	DC Block			

Example: L-Band out + DC Block (N), DC input (Pigtail), DC out + L-Band in (N) = **LBIT-595X-1XXX-02**

Rev. F 20-11-30

Specifications are subject to change without notice. Products from Swedish Microwave AB are made for commercial use.

Rev.10-20-4B