

Ku-Band OMT

Swedish Microwave Partnr 200135



Shown with 90° bend fitted

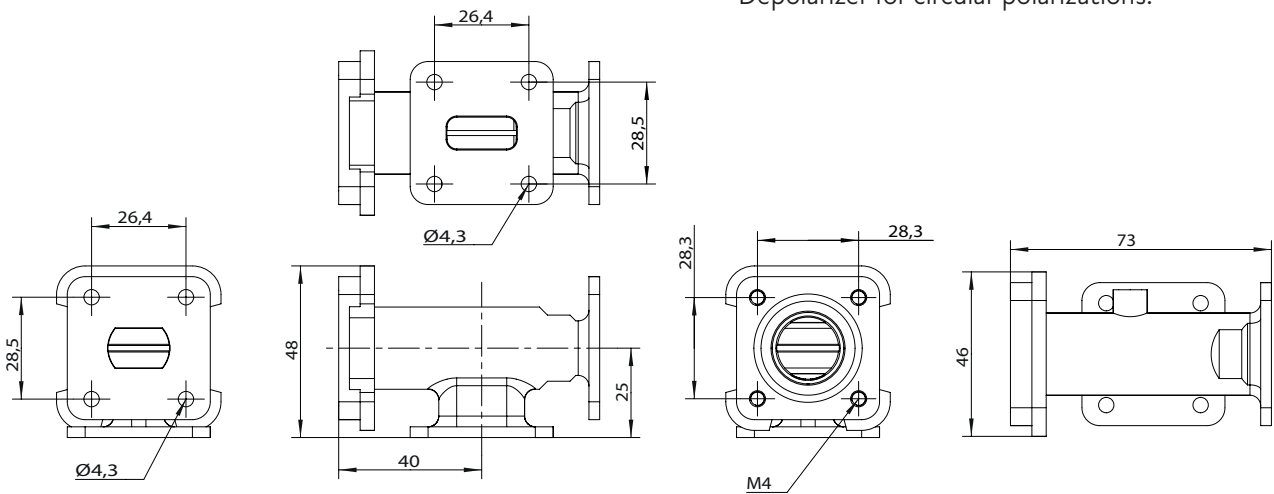
Description

Swedish Microwave OMT (Ortho Mode Transducer) is used to separate two orthogonal linearly polarized signals simultaneously.

The OMT can also support circular polarizations with a depolarizer. Greater than 31.5 dB isolation between the two linear polarizations is achieved.

Accessories:

- Bend for the vertical polarization.
- Waveguide cover for H-pol port.
- Depolarizer for circular polarizations.



Technical specifications

MODEL:	OMT Ku-Band
Frequency Range Vertical	10.70 - 14.50 GHz
Frequency Range Horizontal	10.70 - 12.75 GHz
Input Waveguide	C120 (circular 18 mm)
Output Waveguides	WR75
Input VSWR	1.5:1 max
Cross Polarization (isolation)	31.5 dB min.
Transmission Loss	0.1 dB
Temperature Range	Storage and operating: - 40° to + 80° C
Weight	200 g
Material	Zinc
Dimensions	125 x 48 x 46 mm, (73 x 48 x 45 mm w/o bend), for drawing, see www.smw.se

Specifications are subject to change without prior notice. Products from Swedish Microwave AB are made for commercial use.