

# Satcom / TLT / E.O. PLL LNB models

## Key features



- Very Low Noise Figure
- Excellent Input VSWR
- High P1dB and IP3
- Low Phase noise meets DVB-S2X VSAT profile.
- Wide operating temperature range
- Internal filtering (model 6.30)
- E.O. models with CF 720, 1200 or 1500MHz

### Description

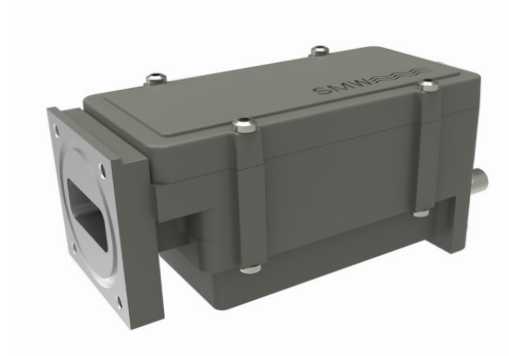
The professional X-Band PLL LNB comes standard with Low Phase Noise to meet DVB-S2X Professional services. The LNB features VERY LOW input VSWR to avoid the need of an external isolator. The X-band PLL LNB models cover the frequency range 7.25 to 8.50 GHz with fixed gain of 60 dB typ. (55 dB min.) or gain by request

Available with Internal LO ref. or with External 10 MHz ref. input. Optional you can order X-Band LNB with Fiber-optic output (single mode fiber).

For more detailed information, ask for product sheet of each model.



With optional CPR 112G adapter



With optional direct fiberoptic output

# Satcom / TLT / E.O. PLL LNB models

## Technical specifications

	Name	Input Frequency	LO Frequency	Output Frequency	Suggested application
MODEL	6.30	7.25 - 7.75 GHz	6.30 GHz	950 - 1450 MHz	Satcom
	6.80	7.75 - 8.50 GHz	6.80 GHz	950 - 1700 MHz	Satcom/TLT
	6.95	7.90 - 8.50 GHz	6.95 GHz	950 - 1450 MHz	Satcom/TLT
	6.50	7.68 - 8.32 GHz	6.50 GHz	CF 1500, 1180-1820 MHz	E.O.
	6.95	7.75 - 8.50 GHz	6.95 GHz	CF 1200, 800-1550 MHz	E.O.
	7.22/7.52	7.75-8.13/8.05-8.43 GHz	7.22/7.52 GHz	CF 720, 530 - 910 MHz	E.O.
INPUT	Input WG	Waveguide WR112 / R84. Flange PBR 84			
	Input VSWR	1.5:1 max.			
	LO Leakage	-60 dBm max. @ waveguide input			
INTERNAL	Gain	60 dB typ. (55 dB min.), 0 dB or by request for TLT			
	Noise figure	0.69 dB / 50 K max., 0.6 dB / 43 K typ.			
	MODELS with Internal reference	$\pm 0.5$ ppm -20 to +70°C ( $\pm 1$ ppm -40 to +80°C), $\pm 1$ ppm -20 to +70°C ( $\pm 1.5$ ppm -40 to +80°C)			
	MODELS with External reference	Sine Wave, Level: -15 to +5 dBm. Supplied through output connector (with no ext. 10 MHz ref. present LO shifts -20 ppm)			
	Phase Noise	-35dBc/Hz • 10 Hz -65dBc/Hz • 100 Hz -85dBc/Hz • 1 kHz -90dBc/Hz • 10 kHz -100dBc/Hz • 100kHz -128Bc/Hz • $\geq 1$ MHz typ.			
	Image rejection	60 dB min @ LO 6.30, 40 dB min. other models except model 7.22/7.52 (30 dB min.)			
DC and OUTPUT	DC Input	+12 to +18 V, 430 mA typ. Supplied through output connector			
	Current drain	190 mA @ 13V, 160 mA @ 15V, 140 mA @ 18V, 110 mA @ 24 V typ.			
	Output P1dB	+15 dBm typ.			
	Output IP3	+25 dBm typ.			
	Output VSWR	1.7:1 max.			
	Output Connector	F-type 75 $\Omega$ , N-type 50 $\Omega$ or SMA-type 50 $\Omega$			
GENERAL	Temperature range	Storage and operating: -40 to +80°C, -40 to 176° F			
	Dimensions	130 x 56 x 51 mm (F- & SMA-connector), 135 x 56 x 51 mm (N-connector), for drawing, see <a href="http://www.smw.se">www.smw.se</a>			
	Weight	353 g WR112, 420 CPR112G (F- & SMA-connector), 369 g WR112, 446 CPR112G (N-connector)			
	Miscellaneous	Enclosed conductive O-ring, mounting screws M6 x 25, washers and nuts 10 pcs.			
OPTIONS	Separate SMA connector for DC input and/or Ext. 10 MHz ref. Custom LO CPR 112G adaptor Custom gain and variation				

C-BAND

X-BAND

KU-BAND

KA-BAND

Q/V-BAND

RFoFIBER

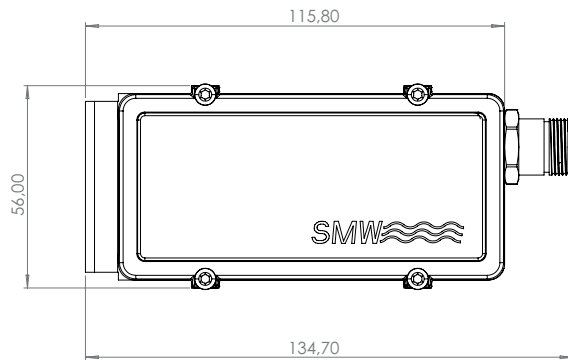
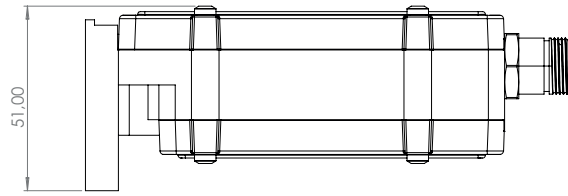
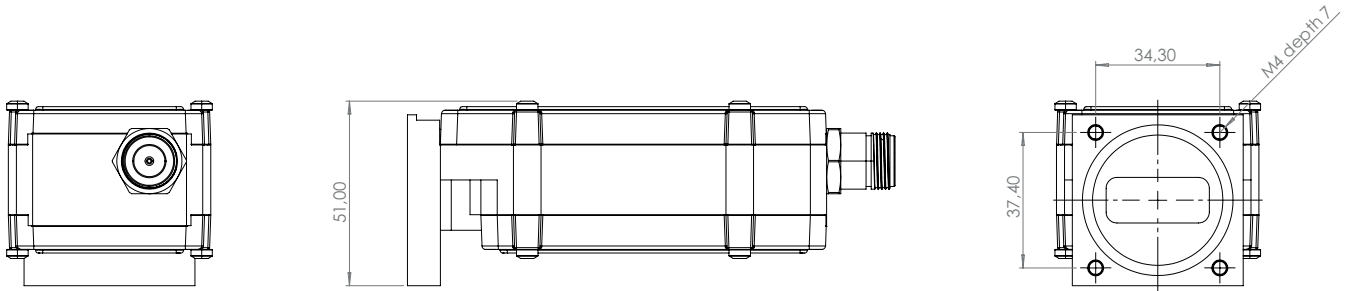
L-BAND

EXT REF

OTHER

# Satcom / TLT / E.O. PLL LNB models

## Technical Drawing



With optional CPR112G adaptor

